

MULTI-BORE ROV STAB PLATE

PRODUCT GROUP
SUBSEA DISTRIBUTION



PRODUCT DESCRIPTION

An MQC plate is fitted with multiple hydraulic/chemical couplers that enable transfer of a variety of fluids between subsea systems such as trees and manifolds. Manufactured in male and female pairs, each MQC plate is designed specific for the application.

Our MQC plates are fitted with our hydraulic and chemical couplers that enable a compact, lightweight design that is easy to handle and quick to install – reducing subsea operation and installation time.

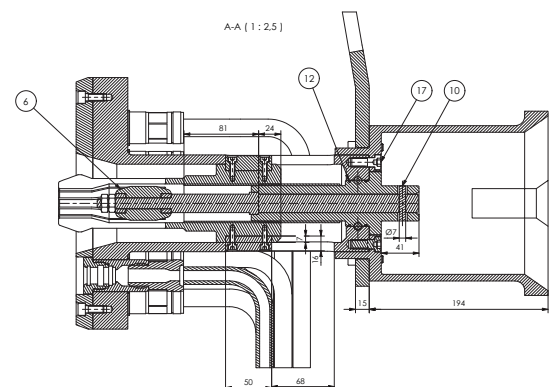
Fitted with a secondary release mechanism which is easy to operate, the MQC plate provides a secure interface within the subsea distribution system.

With all critical locking system elements and seals located in the flying MQC plate, should any damage occur, the plate can be easily retrieved, repaired or replaced without requiring interfering with the subsea asset.

This solution gives the operator an increased level of safety and control during subsea operation.

DESIGN PARAMETERS

| | |
|--|---|
| Coupler Configuration | Up to 18 x ¼" Couplers Up to 12 x ½" Couplers Up to 8 x 1" Couplers Mix as per client requirements |
| Maximum working pressure | 15000 psi (1034,2 Bar) |
| Operating Temperature | -18°C to + 121°C |
| Storage & Transport Temperature | -10°C to + 60°C |
| Design Depth | 3000m |
| Design Life | 30 year |



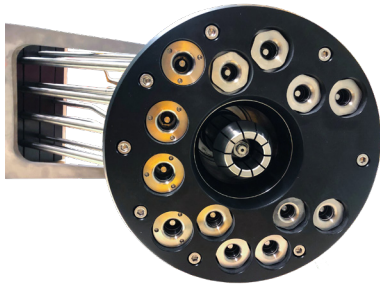
MULTI-BORE ROV STAB PLATE

SUBSEA DISTRIBUTION



DIMENSION & WEIGHTS

| | |
|--|---------------|
| Mass Inboard Plate Assembly: | 33 kg |
| Mass Outboard Plate Assembly: | 69 kg |
| Weight Inboard Plate Assembly in Air: | 323 N (33kgf) |
| Weight outboard Plate Assembly in Air: | 677 N (69kgf) |
| Weight Inboard Plate Assembly in water: | 280 N (29kgf) |
| Weight outboard Plate Assembly in water: | 582 N (59kgf) |



INTERFACES

| | |
|------------------------|-----------------------------|
| ROV Interface: | API 17D ROV Bucket class 4 |
| Maximum Mating Torque: | 2500 Nm |
| Damage Torque: | Above class 4 specification |
| Docking force: | 1750 N |
| Undocking force: | 1750 N |

ADDITIONAL INFORMATION

| | |
|---------------------------|---|
| Standards used in design: | ISO 13628-8; API 6A ; API 17D (ISO 13624-4) |
| MQC main materials: | Super Duplex, Nickel Aluminum Bronze, Inconel 718 |
| Coupler main materials: | See datasheet 20502-0001 |

